

Assembly Instructions

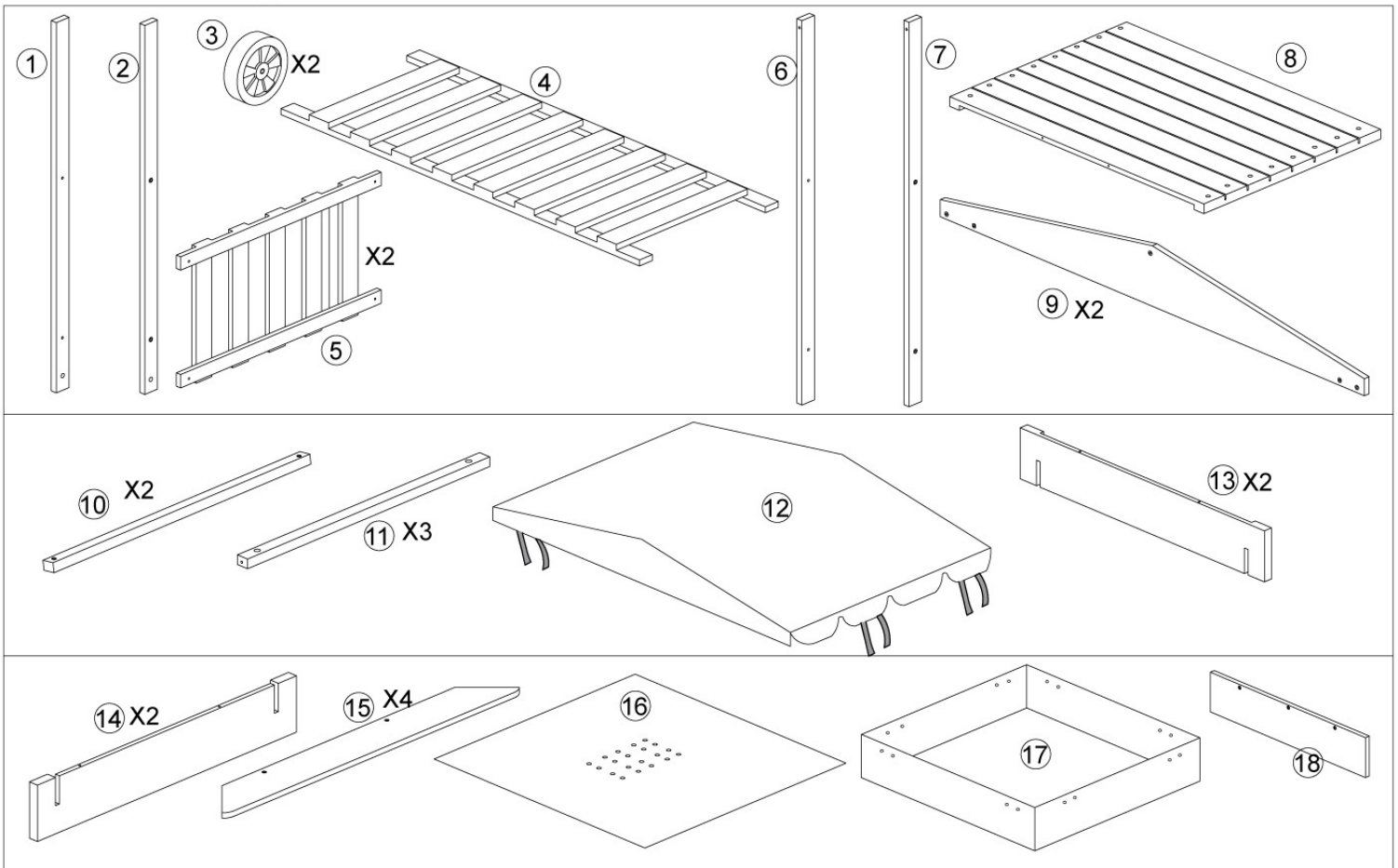
ITEM Number: FRC005-1
Product Name: Classic Playtime Pool and Sandbox Playhouse

PRE-ASSEMBLY PREPARATION:

Please check all contents of this package before attempting to assemble the product. A full checklist of components is provided. If any components are missing, please contact the retailer from whom you have purchased this product. Read the Assembly Instructions in full before you begin to assemble. Please use CAUTION AND CARE WHEN LIFTING the product to avoid personal injury and (or) damage to the product. For ease of assembly, two people are recommended. The hardware packet contains SMALL ITEMS which should be KEPT AWAY FROM CHILDREN.

ADULT ASSEMBLY REQUIRED

Panel and Fittings Identification:



HARDWARE

A. Bolt x2pcs
85mm



B. Bolt x 6pcs
50mm



C. Bolt x 16pcs
45mm



D. Bolt x 15pcs
30mm



E. Screw x 16pcs
15mm



F. Small Washer
x37pcs



G. Cross Dowel
Nut x 6pcs



H. Plastic Strip x 8pcs



I. Lock Nut x 2pcs



J. Screw x 16pcs
25mm

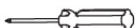


Allen wrench x1pc



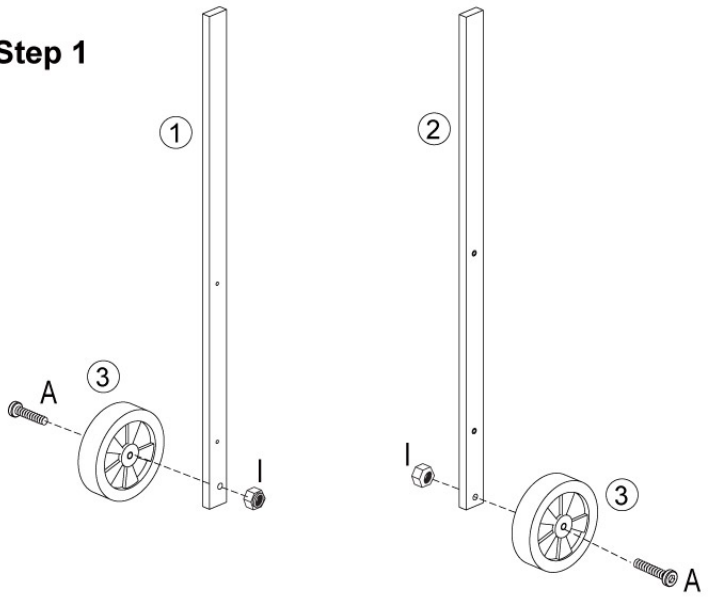
The following tool
(not included) is required
for assembly:

Phillips® Screwdriver

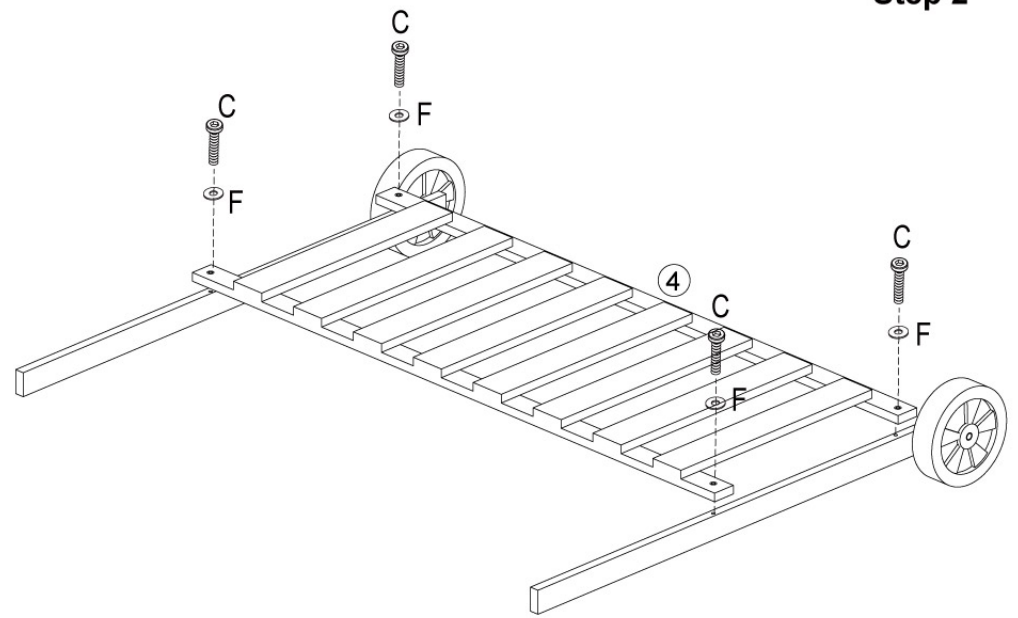


Pliers

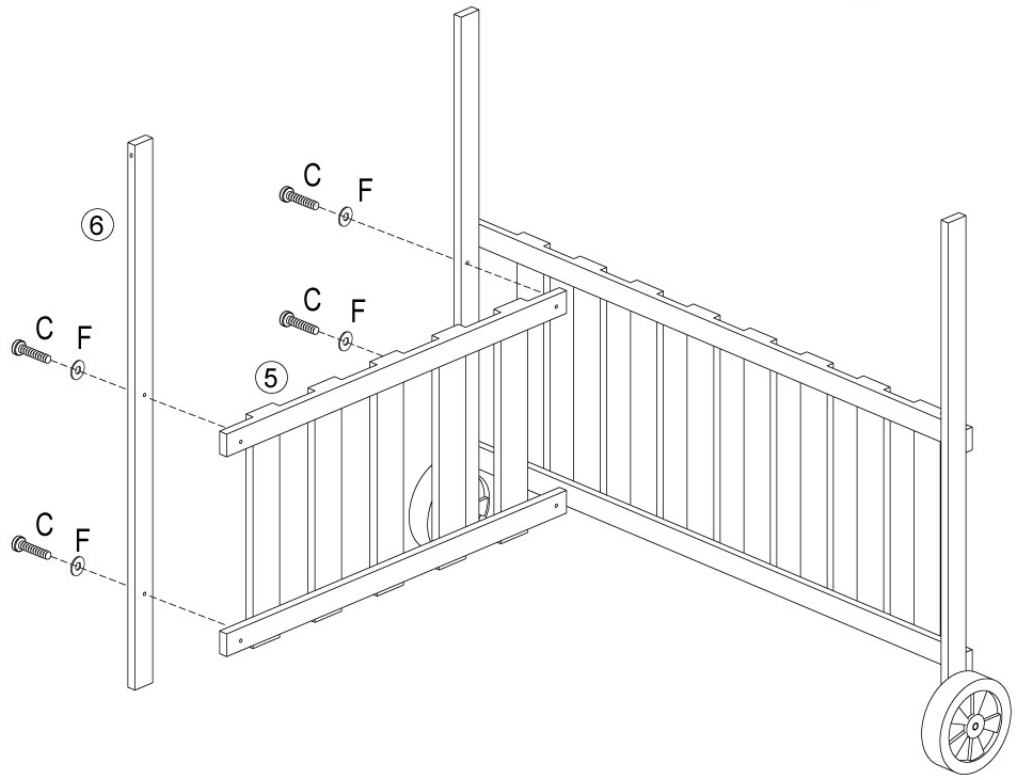
Step 1



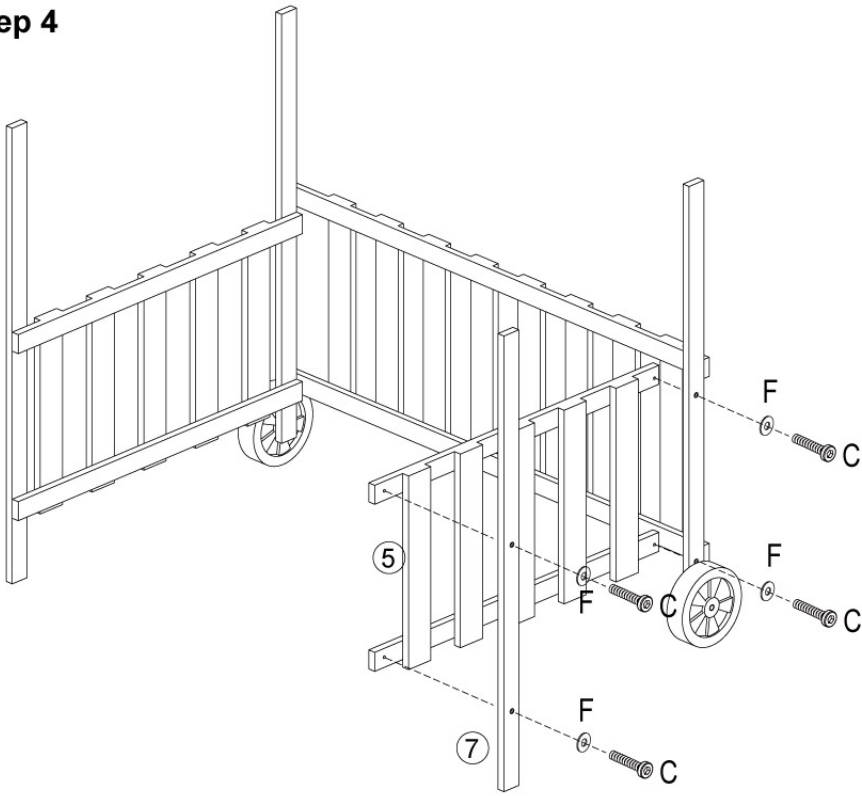
Step 2



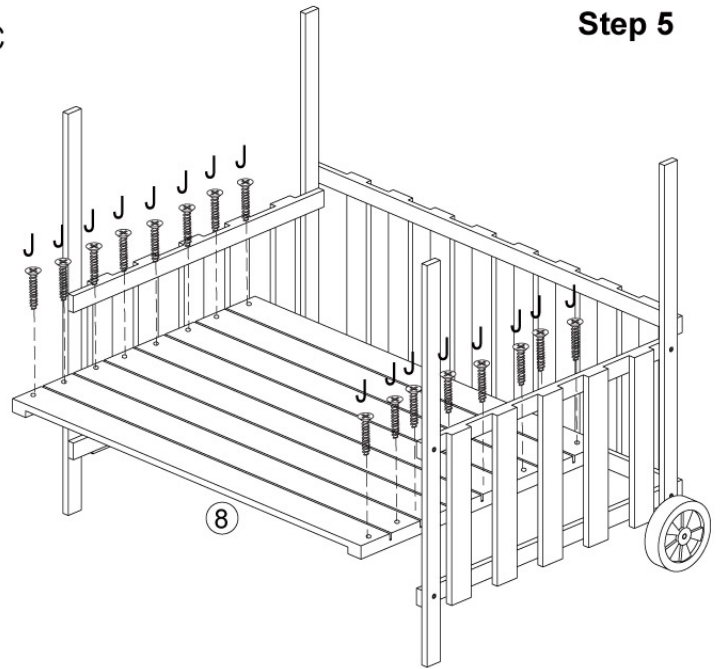
Step 3



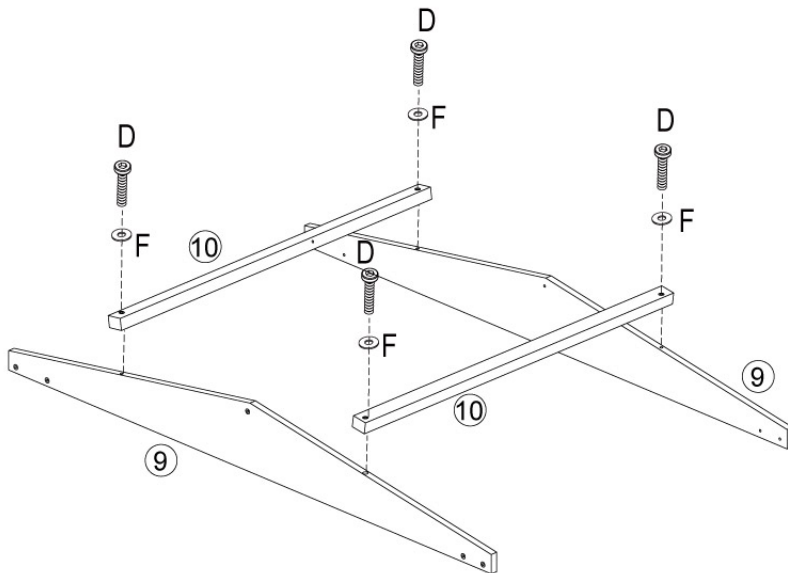
Step 4



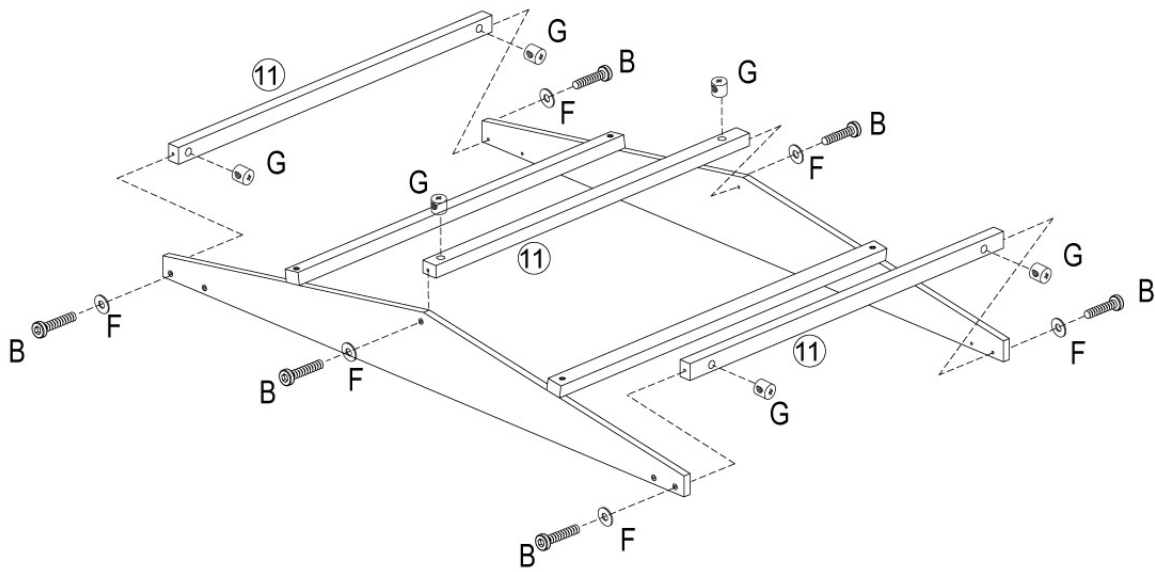
Step 5



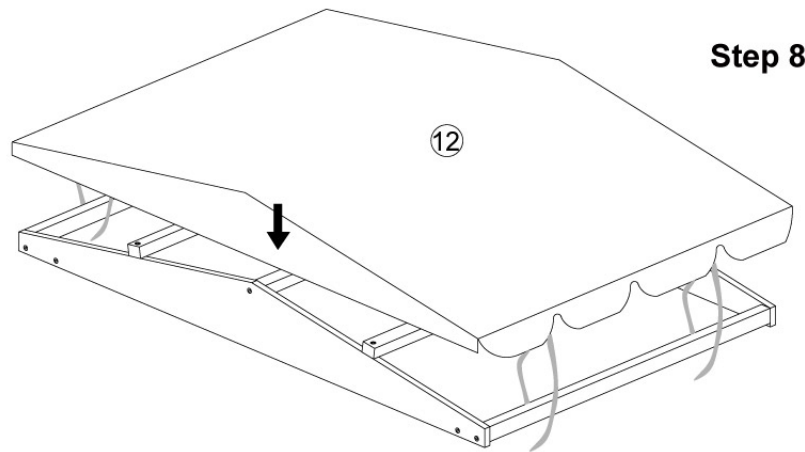
Step 6



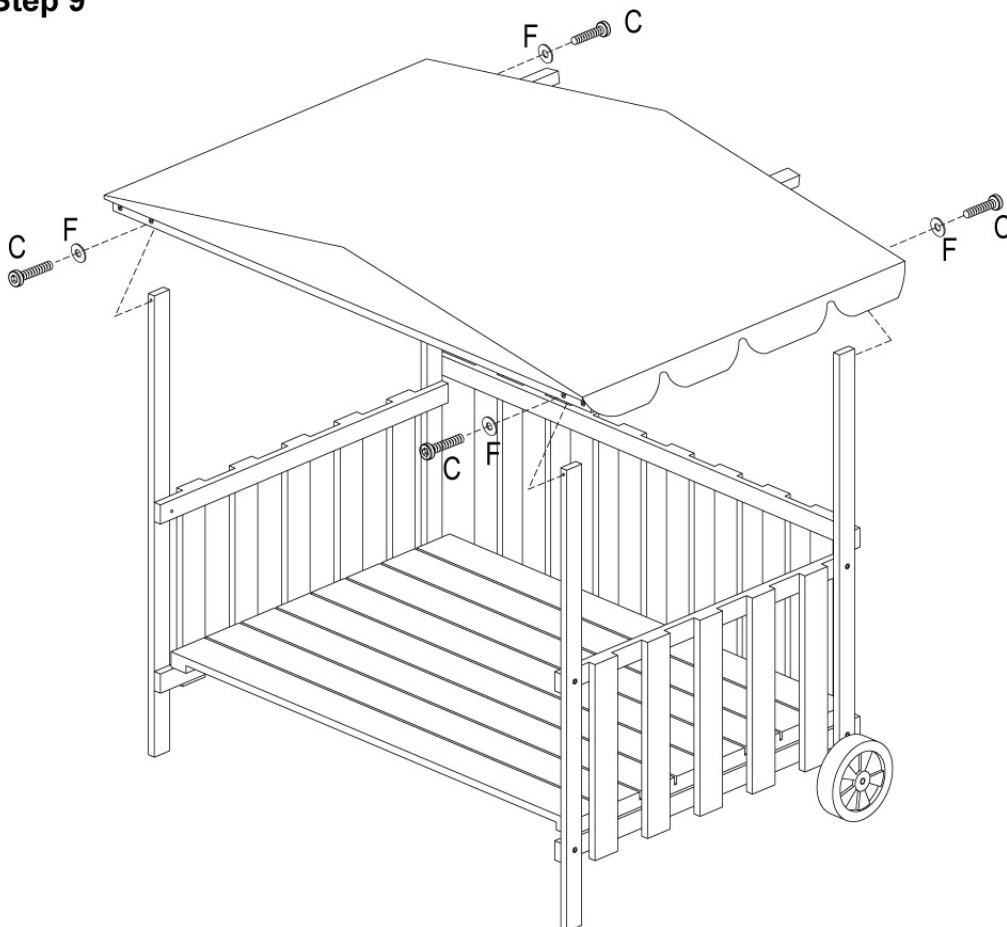
Step 7



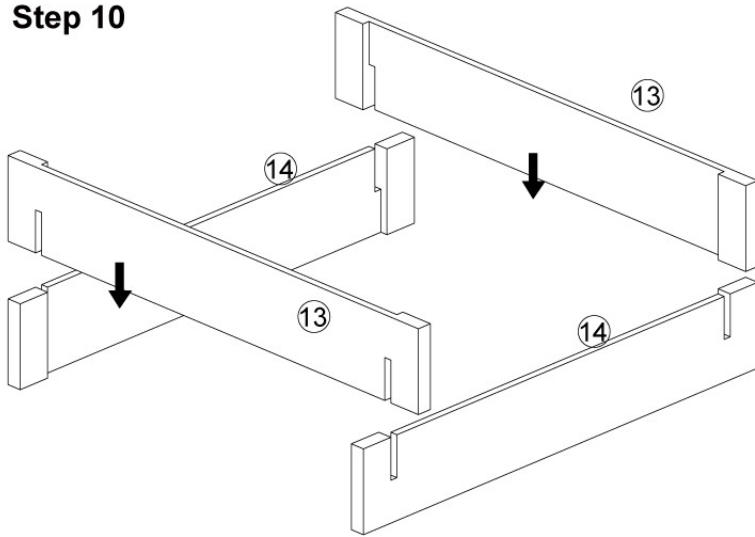
Step 8



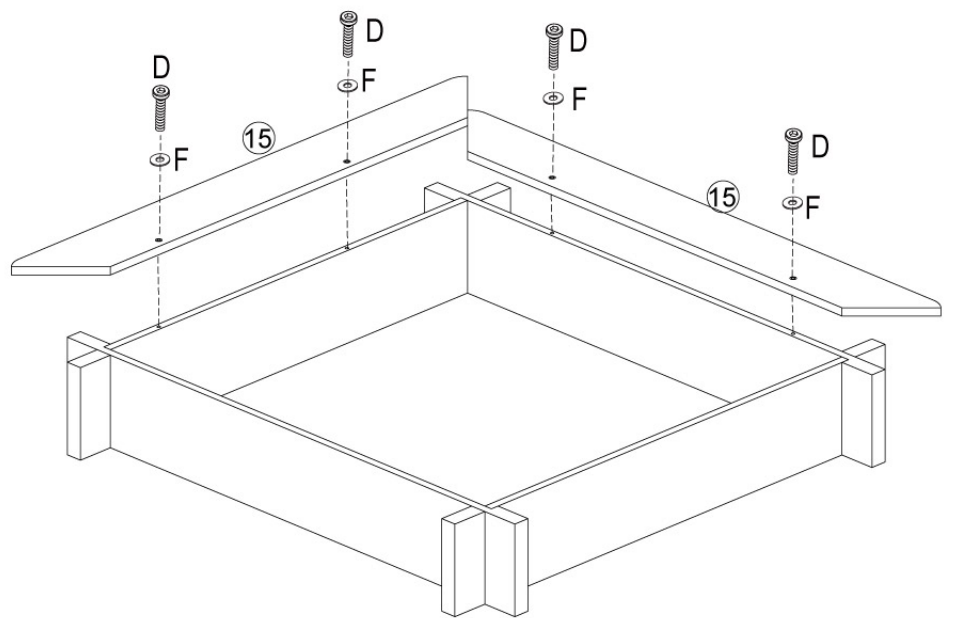
Step 9



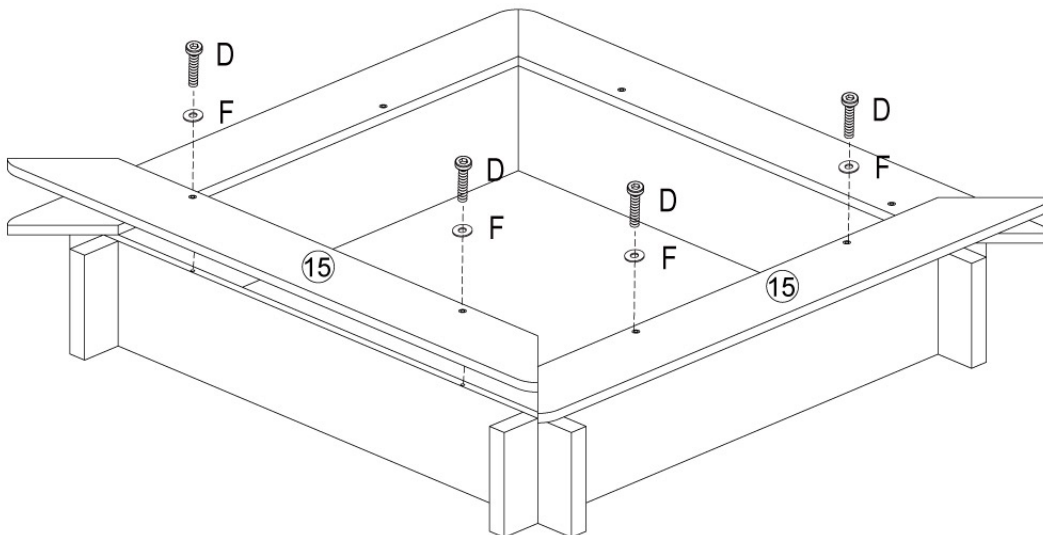
Step 10



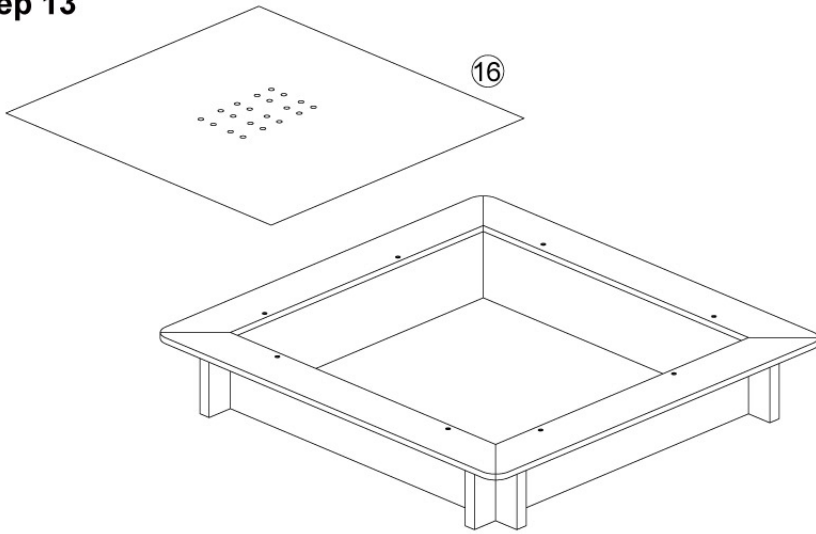
Step 11



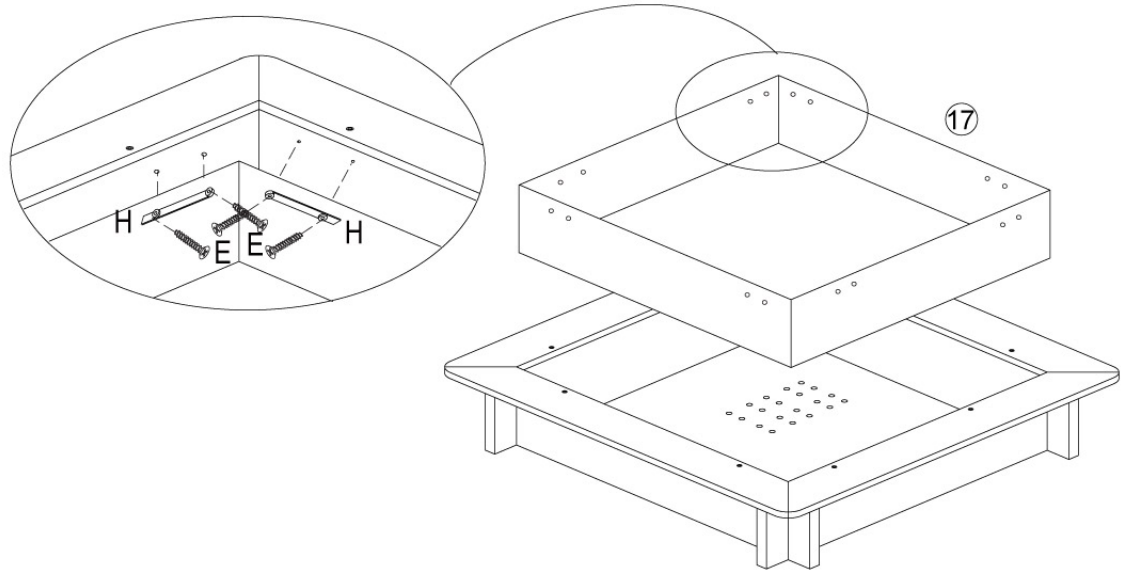
Step 12



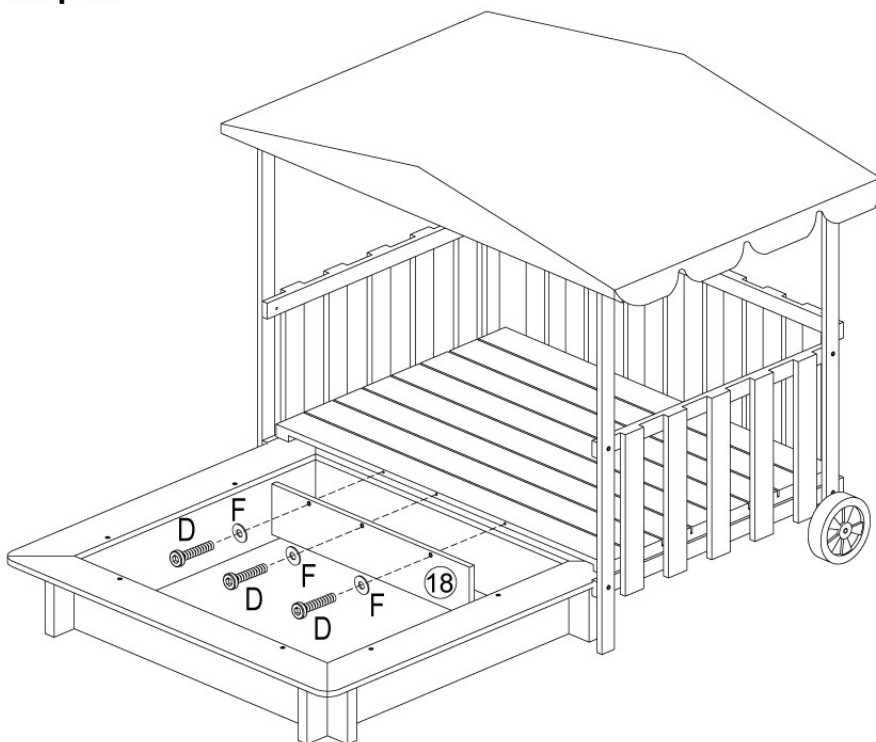
Step 13



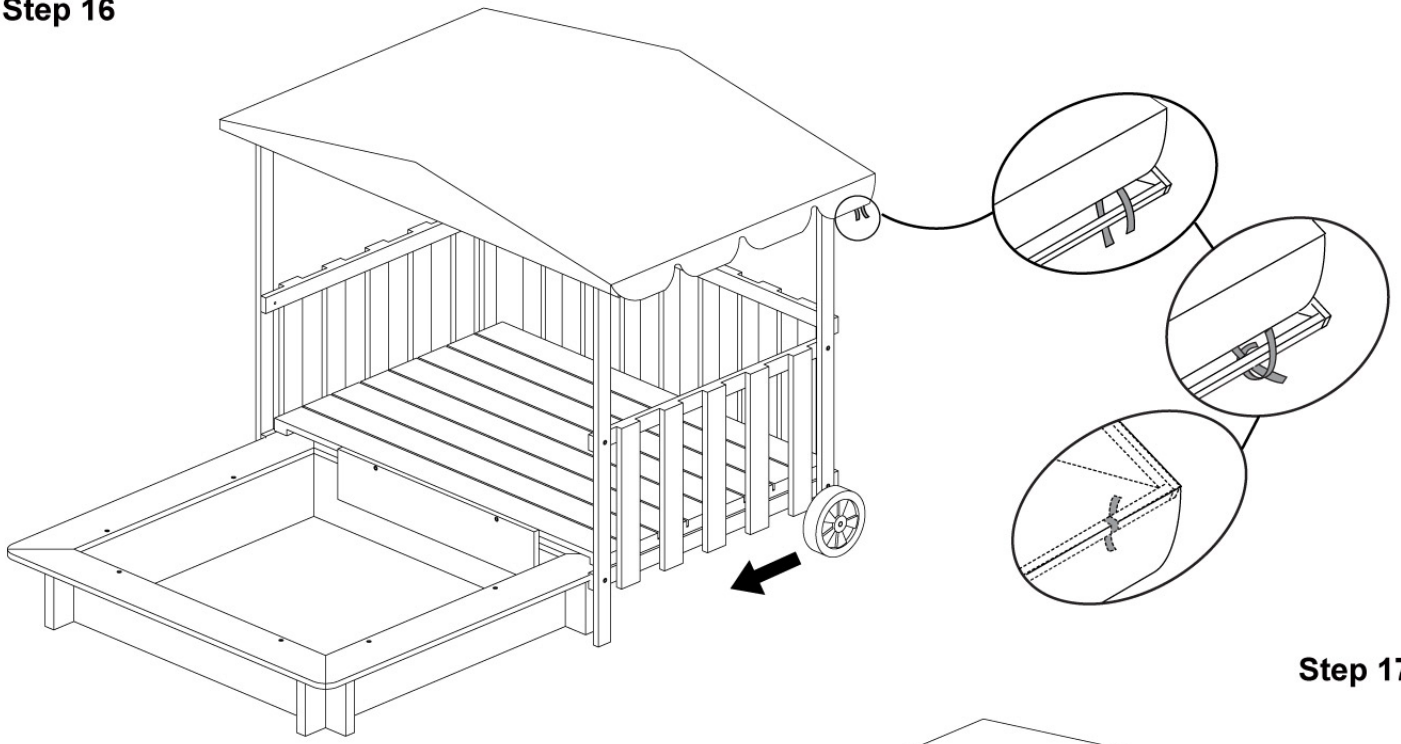
Step 14



Step 15



Step 16



Step 17

